

Lockmasters' L Bracket Installation Instructions

Part No. STCLKIT

Component List

- A - (5) 10-24 x 3/8" Flat Head Phillips Strike Screws
- B - (1) Double Stick Tape
- C - (1) Pack of Liquid Thread Locker
- D - (4) 1/4 - 20 Button Head Socket Bracket Mounting Screws
- E - (1) Bracket
- F - (2) Jack Screws

1. Position the bracket on the door frame on center at 43" AFF and install using the 2 slotted holes to affix the bracket to the door frame. This will allow lateral movement in the bracket if needed. It may be necessary to grind or trim the strike leg of the bracket so that it does not interfere with the door.

2. Use the Double stick tape to temporarily hold the strike on the bracket. This will allow you to position the templates or drill fixture on the door and set the proper backset for the lock without permanently committing the strike to the bracket.

3. Prep the door and install the lock.

4. Check the strike to make sure it's not rubbing the casting of the lock at any point. If it is, you can adjust by loosening the bracket screws for lateral movement or peel the strike off the bracket and reposition to insure it's in the correct location.

5. Once you are satisfied with the strike location, center-punch all the strike mounting screw holes making sure you penetrate the double stick tape.

6. Remove the bracket from the frame, then remove the strike from the bracket and peel the double stick off all the surfaces to reveal the center-punched holes.

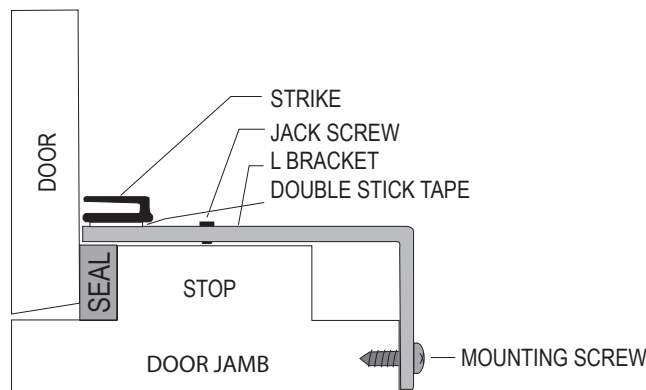
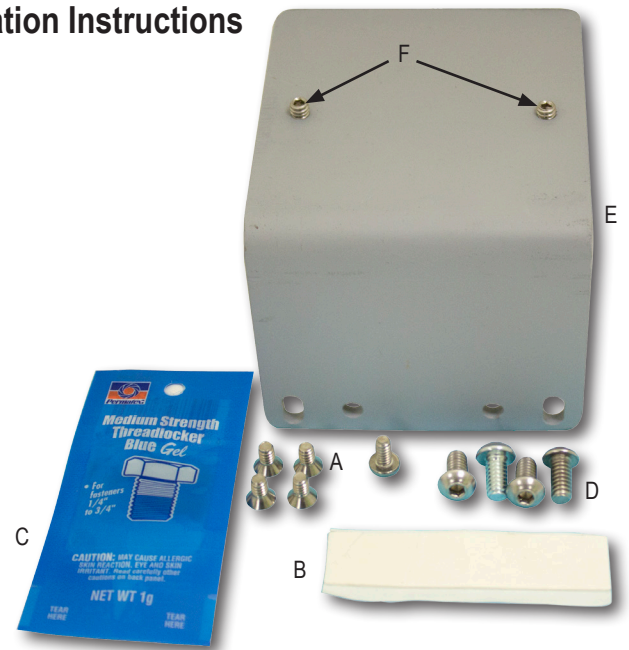
7. Drill and tap these holes using a 10-24 tap.

8. Re-install the strike using the short strike screws provided with the bracket. Make sure to install the shims to compensate for the double sided tape that has been removed.

9. Reinstall the bracket using the 2 slotted holes once again. Check the strike for accuracy and move laterally as need to pin point the proper location of the strike to insure it engages the bolt and trigger at the proper location.

10. Once the bracket is place and the door and lock are latching properly, permanently attach the bracket to the frame by adding the final 2 bracket screw into the round holes on the bracket.

11. Tighten the 2 Jack Screws located behind the strike until they engage the door stop or the sound seal cover. These screw will stabilize the strike leg of the bracket and prevent it from moving.



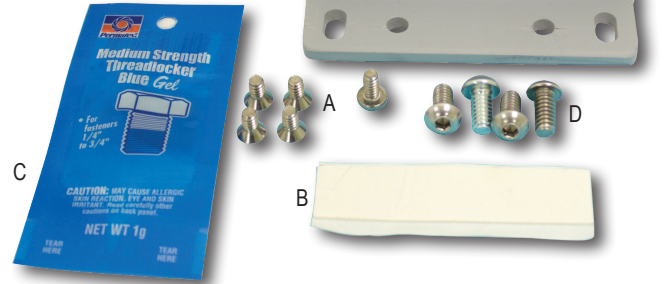
STCL BRACKET APPLICATION

Lockmasters' Z Bracket Installation Instructions

Part No. STCZKIT

Component List

- A - (5) 10-24 x 3/8" Flat Head Phillips Strike Screws
- B - (1) Double Stick Tape
- C - (1) Pack of Liquid Thread Locker
- D - (4) 1/4 - 20 Button Head Socket Bracket Mounting Screws
- E - (1) Bracket
- F - (2) Jack Screws



1. Position the bracket on the door frame on center at 43" AFF and install using the 2 slotted holes to affix the bracket to the door frame. This will allow lateral movement in the bracket if needed. It may be necessary to grind or trim the strike leg of the bracket so that it does not interfere with the door.
2. Use the Double stick tape to temporarily hold the strike on the bracket. This will allow you to position the templates or drill fixture on the door and set the proper backset for the lock without permanently committing the strike to the bracket.
3. Prep the door and install the lock.
4. Check the strike to make sure it's not rubbing the casting of the lock at any point. If it is, you can adjust by loosening the bracket screws for lateral movement or peel the strike off the bracket and reposition to insure it's in the correct location.
5. Once you are satisfied with the strike location, center-punch all the strike mounting screw holes making sure you penetrate the double stick tape.
6. Remove the bracket from the frame, then remove the strike from the bracket and peel the double stick off all the surfaces to reveal the center-punched holes.
7. Drill and tap these holes using a 10-24 tap.
8. Re-install the strike using the short strike screws provided with the bracket. Make sure to install the shims to compensate for the double sided tape that has been removed.
9. Reinstall the bracket using the 2 slotted holes once again. Check the strike for accuracy and move laterally as need to pin point the proper location of the strike to insure it engages the bolt and trigger at the proper location.
10. Once the bracket is place and the door and lock are latching properly, permanently attach the bracket to the frame by adding the final 2 bracket screw into the round holes on the bracket.
11. Tighten the 2 Jack Screws located behind the strike until they engage the door stop or the sound seal cover. These screw will stabilize the strike leg of the bracket and prevent it from moving.

